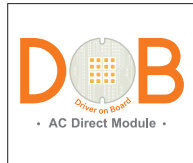


CMED 332

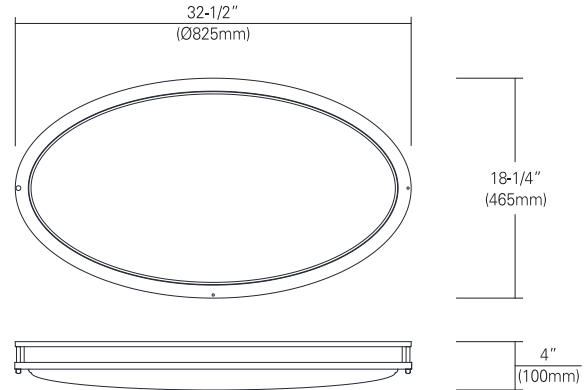
120V, 220V-230V and 277V

32" Oval LED Ceiling Flushed Mounted Luminaire



Catalog #		Type
Project		Date
Prepared by		

32" Flush Mount LED



DESCRIPTION

CMED 332 is designed for the installation with ceiling flush mount with 4" ceiling J-Box. Specially layered light guide films delivers superior light distribution and even uniformity.

SPECIFICATION

HOUSING	CMED 332
Wattage (Typ)	35W
Lumen (Typ)	3,000
Efficacy (LPW)	85 lm/W
Beam Angle	100°
CRI (Typical)	80, 90
Color (+/-5%)	2700K, 3000K, 3500K, 4000K, 5000K
Dimming	Triac(Consult with factory for approved dimmers)

FEATURES and FUNCTIONS

- Hard gauge metal back plate and the heat sink to facilitate heat dissipation.
- PC diffused lens delivers perfect light distribution.
- 90CRI Standard. Available in 2700K, 3000K, 3500K, 4000K and 5000K.
- Triac dimmable standard.
- LED module - Lumen maintenance of L82 at 50,000 life, and available in all CCTs with a CRI ≥ 80.
- Isolated UL Listed/Recognized LED driver with dimming to 10%, minimum.

Listing

- CSA-us Certificated
- State of California Title 24
- Energy star Approved & Listed
- Damp location

Warranty

- 5years of lamp life.

ORDERING INFORMATION

Housing	CRI	CCT	Finish
CMED 332 35W, 32"	8 80	27 2700K	WH White
	9 90	30 3000K	
		35 3500K	
		40 4000K	
		50 5000K	

*Consult with factory for custom finishes

Example : CMED 332-830-WH

- -